

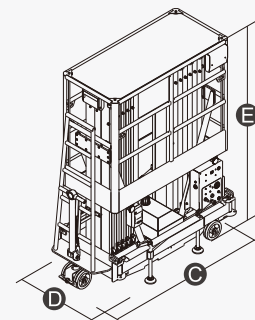
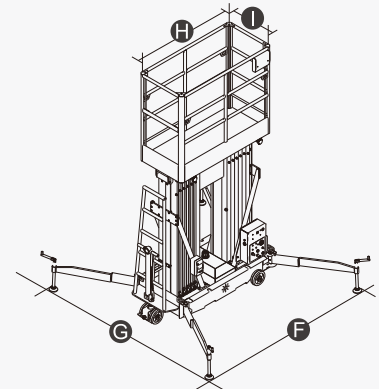
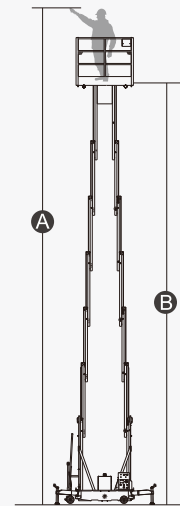
SPECIFICATIONS

Size	Metric	British
Max. Working Height A	9.50m	31ft 2in
Max. Platform Height B	7.50m	24ft 7in
Overall Length(Stowed) C	1.56m	5ft 1in
Overall Width(Stowed) D	0.82m	2ft 8in
Overall Height(Stowed) E	1.99m	6ft 6in
Outrigger Footprint(Length F × Width G)	1.76m/1.66m	5ft 9in/5ft 5in
Platform Size(Length H × Width I)	1.27m × 0.65m	4ft 2in × 2ft 2in
Ground Clearance	0.055m	2in
BackSize	Φ180 × 50mm	Φ180 × 50mm
FrontSize	Φ180 × 50mm	Φ180 × 50mm

Performance		
S.W.L	300kg	661lb
Max. Occupants(Indoor/Outdoor)	2/0	2/0
Up/Down Speed	55/38sec	55/38sec

Weight		
Weight - AC	630kg	1388lb
Weight - DC	689kg	1519lb

Power		
Battery	12V/170Ah	12V/170Ah
Charger	12VDC/30A	12VDC/30A
Lifting Motor - AC	220VAC/1.5kW	220VAC/1.5kW
Lifting Motor - DC	12VDC/2.5kW	12VDC/2.5kW



FEATURES

Standard Items

- Self-Locking Gates
- Emergency Descent System
- Tubing Explosion-Proof System
- Motion Alarm
- Charging Indicator(DC type)
- Charging Protection System(DC type)
- Flashing Beacon
- Lanyard Attachment Point
- Tie-Down And Lifting Points
- Emergency Stop Button



ZHEJIANG DINGLI MACHINERY CO., LTD.

Address: No.188 Qihang Road,Deqing,Zhejiang P.R.C 313219

Telephone: +86(572)8681688

E-Mail: export@cndingli.com

[Https://en.cndingli.com](https://en.cndingli.com)

Due to continuous technology updates, technical parameters are subject to change without notice. This picture book is for reference only, the actual product shall prevail. The copyright is owned by zhejiang dingli, any content may not be copied for any purpose without written permission.

2022-09

